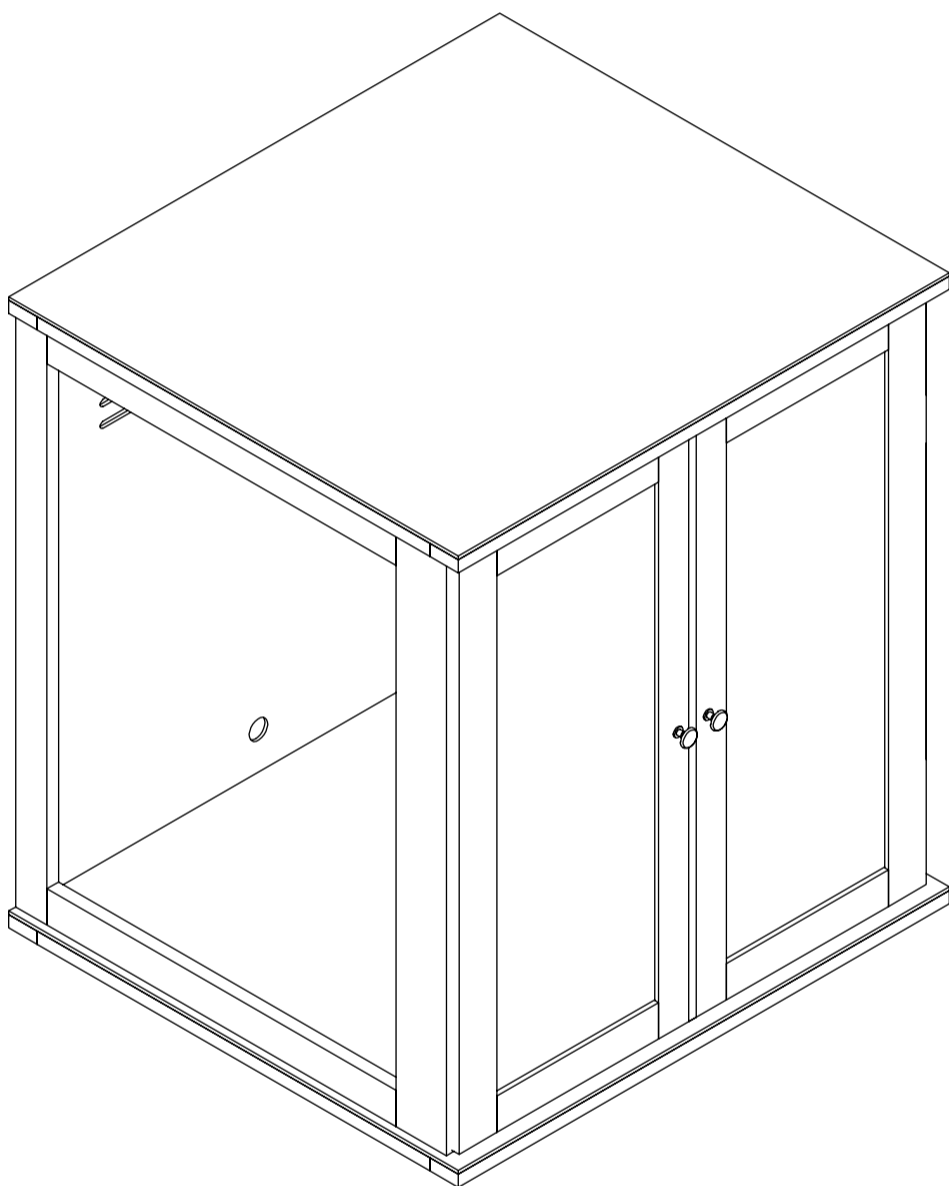




Love Your Cat.
Love Your Home.™

Refined Self Cleaning Litter Box Cabinet

Assembly Instructions
v1



For video instructions on assembling your Refined Self Cleaning Litter Box Cabinet, visit:
TheRefinedFeline.com/assembly/
or scan QR code:



Share a photo of your cat with their new Refined Self Cleaning Litter Box Cabinet! Find us on Facebook or tag on Instagram:

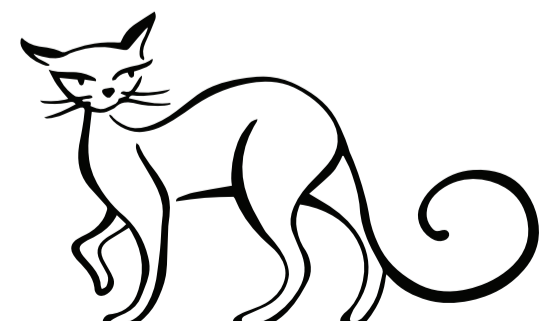
#RefinedLitterBox
@RefinedFeline



Need more help?

800-289-6136

Support@TheRefinedFeline.com













© RefinedKind Pet Products. All Rights Reserved

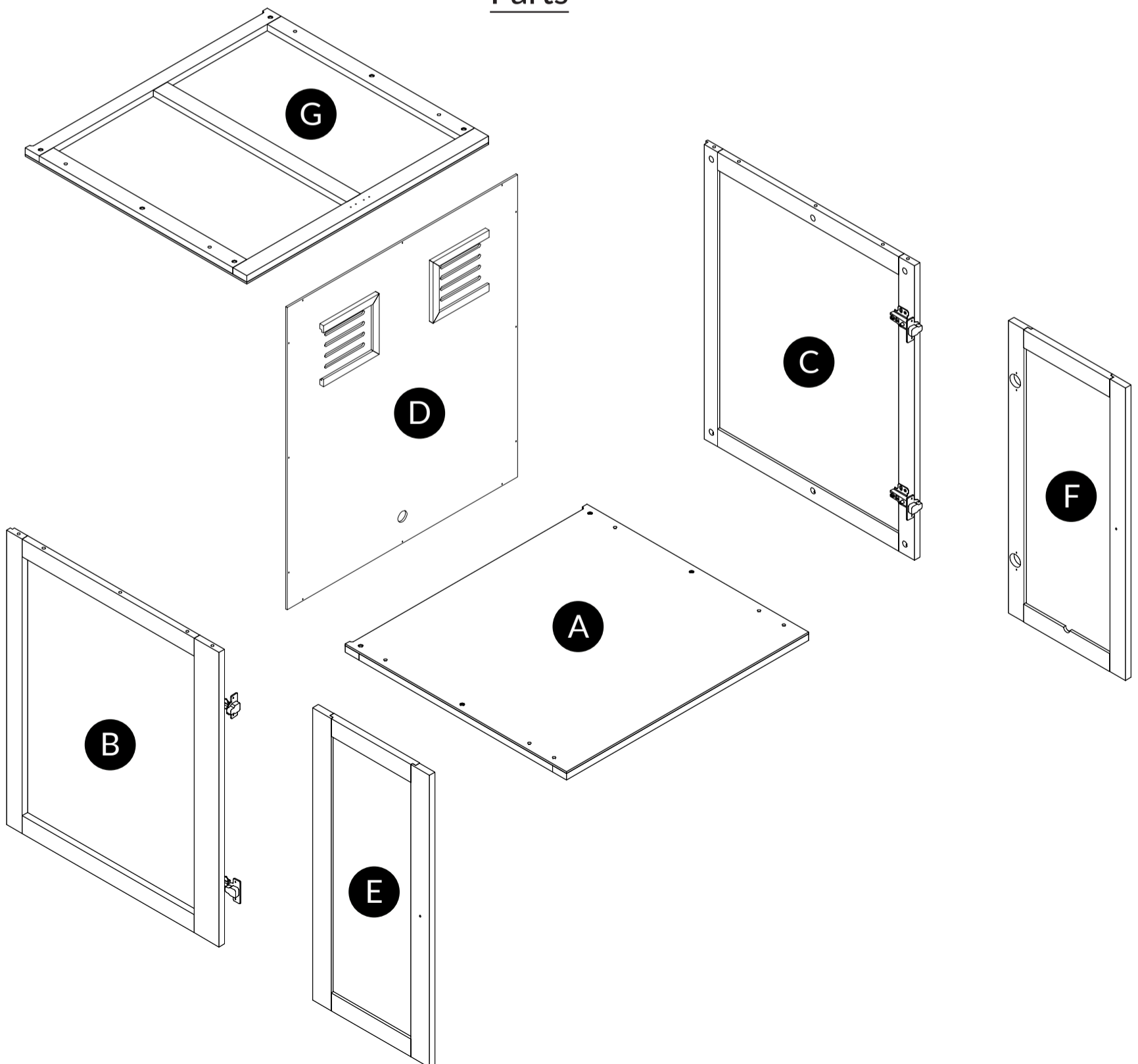


WHAT'S IN THE BOX?

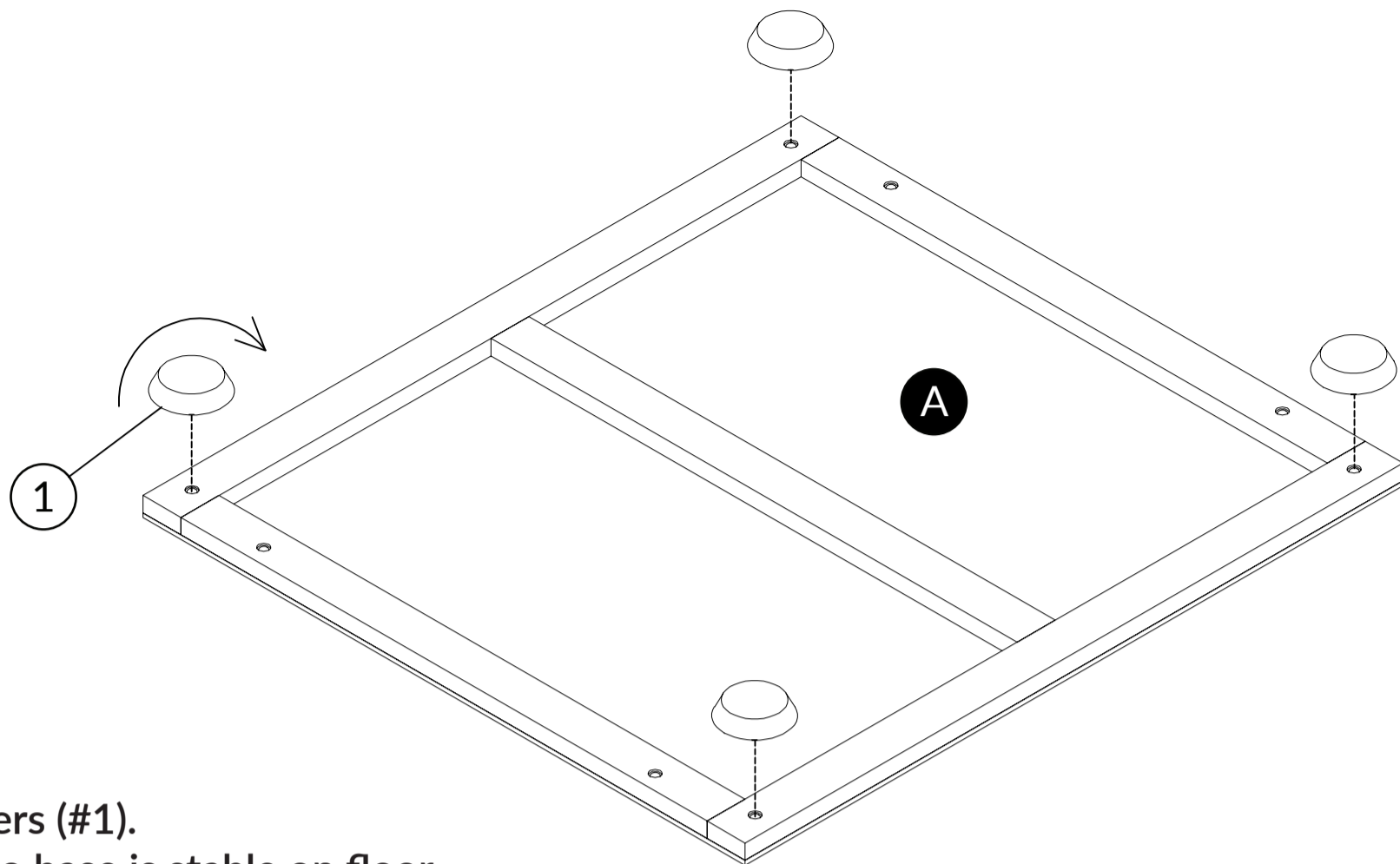
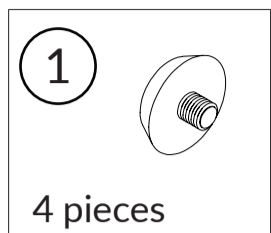
Hardware

- | | | | | | | | | | |
|---|---|---|---|--|---|---|---|---|---|
|  |  |  |  |  |  |  |  |  |  |
| 1 | 2 | 3 | 4 | 5 | 6 | 7 | 8 | 9 | 10 |
| Foot Leveler
5/16x15mm
4 piece | Cam Screw
M6x40mm
12 pieces | Wood dowel
Ø8x30mm
8 pieces | Cam Lock
Ø15x12mm
12 pieces | Wood Screw
3x15mm
20 pieces | Wood Screw
3.5x12mm
8 pieces | Machine Screw
5/32x25mm
2 pieces | Door Knob
2 pieces | Roller Catch Strike
2 pieces | Roller Catch
2 pieces |

Parts

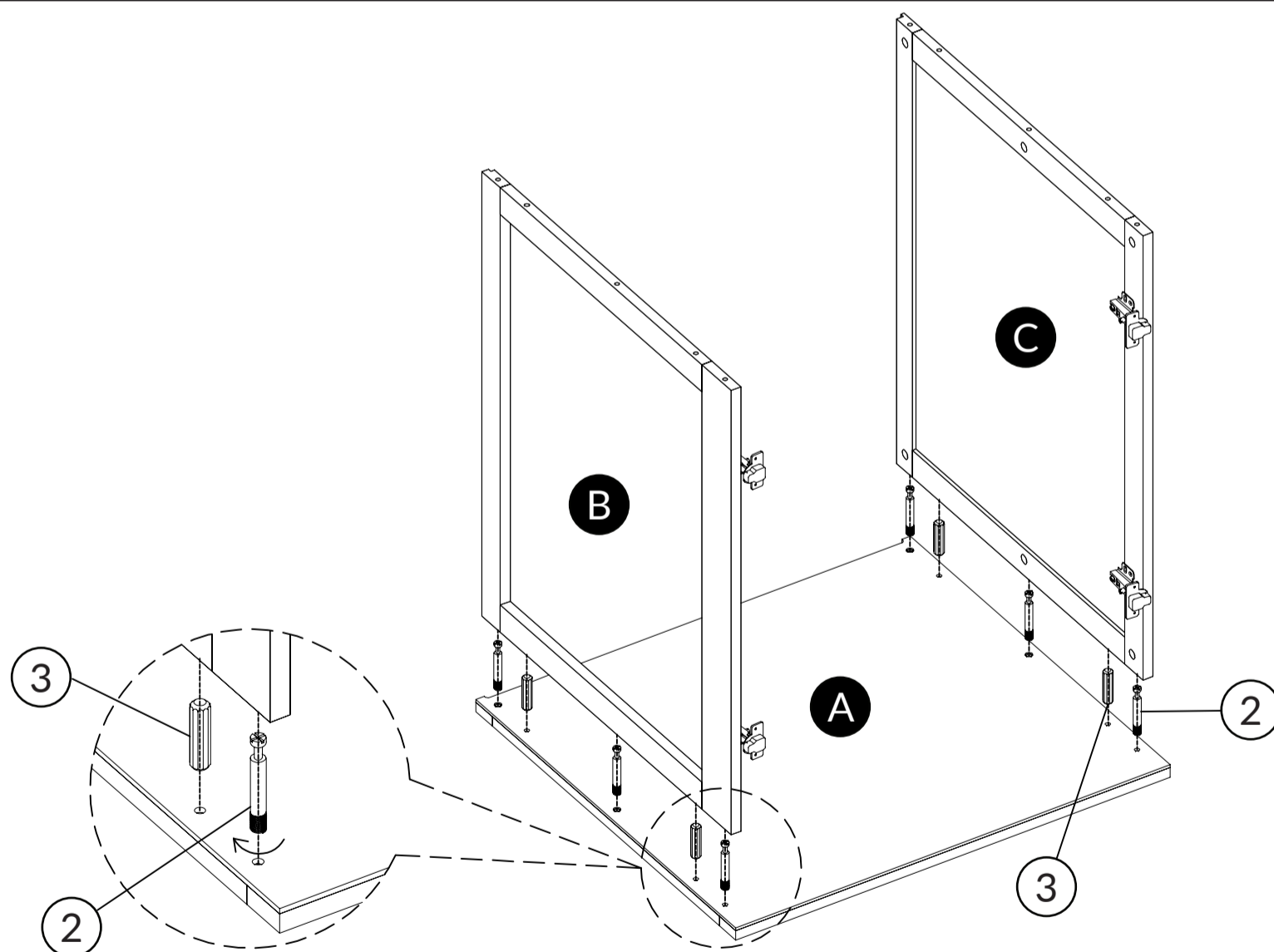
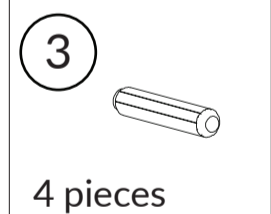
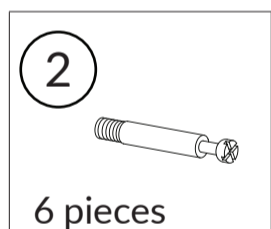


1



Install foot levelers (#1).
Adjust levelers so base is stable on floor.

2



Install cam screws (#2) and dowels (#3) into part A.
Place parts B & C over cam screws and dowels.

Note: Groove on back of part A should face rear,
away from hinges on parts B & C.



3

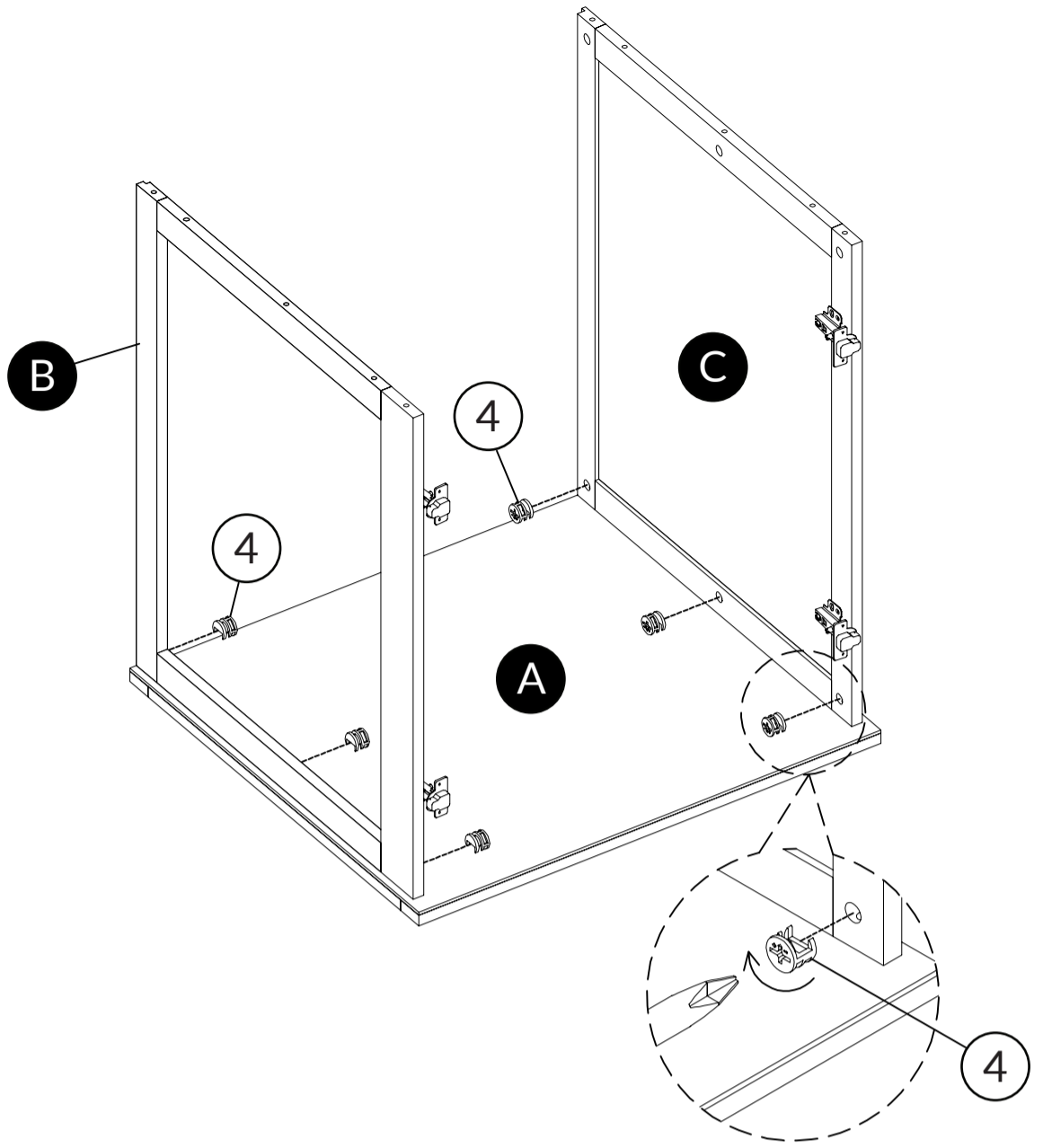
4



6 pieces

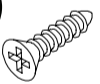
With arrow facing downward, insert cam locks (#4) into bottom of parts B & C then turn to lock.

Note: Do not force! If cam lock does not turn, remove wall, turn cam screw counter clockwise so screw is higher.



4

5

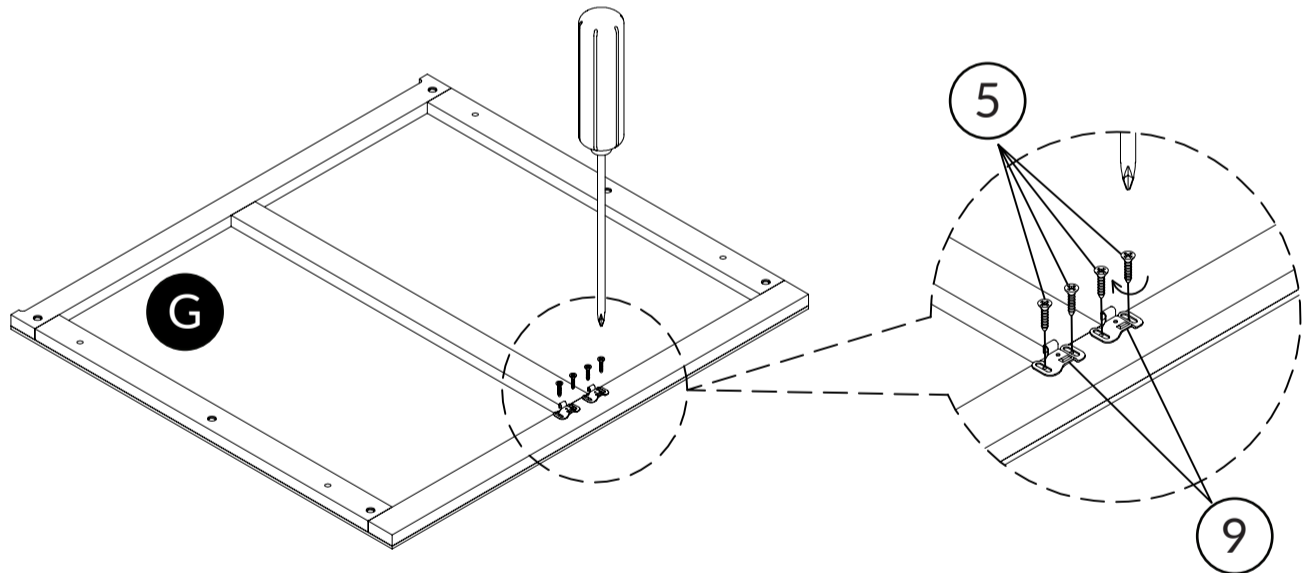


4 pieces

9



2 pieces



Attach roller catch stike (#9) to part G with screws (#5). Raised lip should face inward.

NOTE: You may need to adjust these to align the doors later.



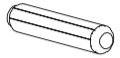
5

2



6 pieces

3

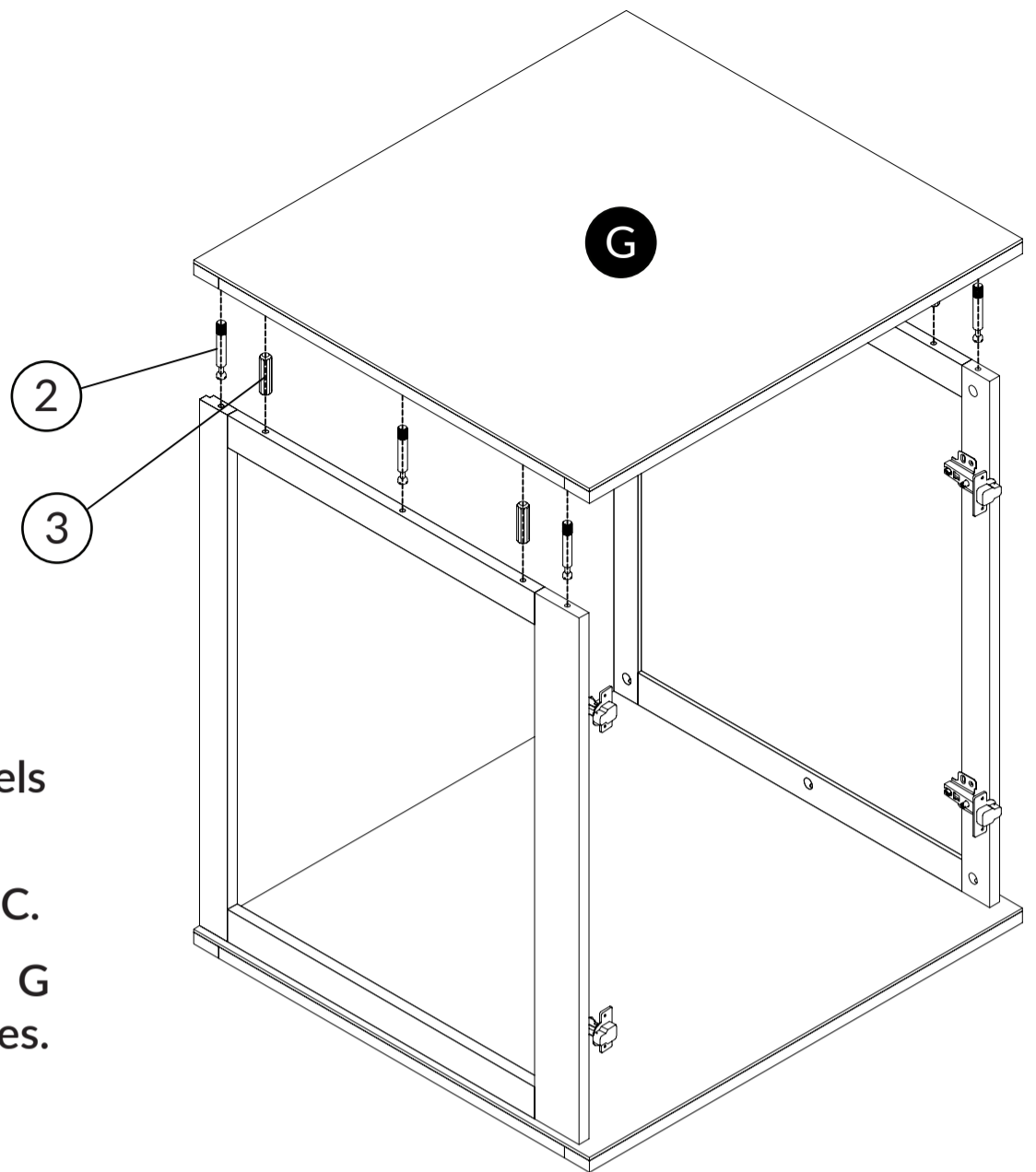


4 pieces

Install cam screws (#2) and dowels (#3) into part G.

Place part G on top of walls B & C.

Note: Groove on back of part G should face rear, away from hinges.



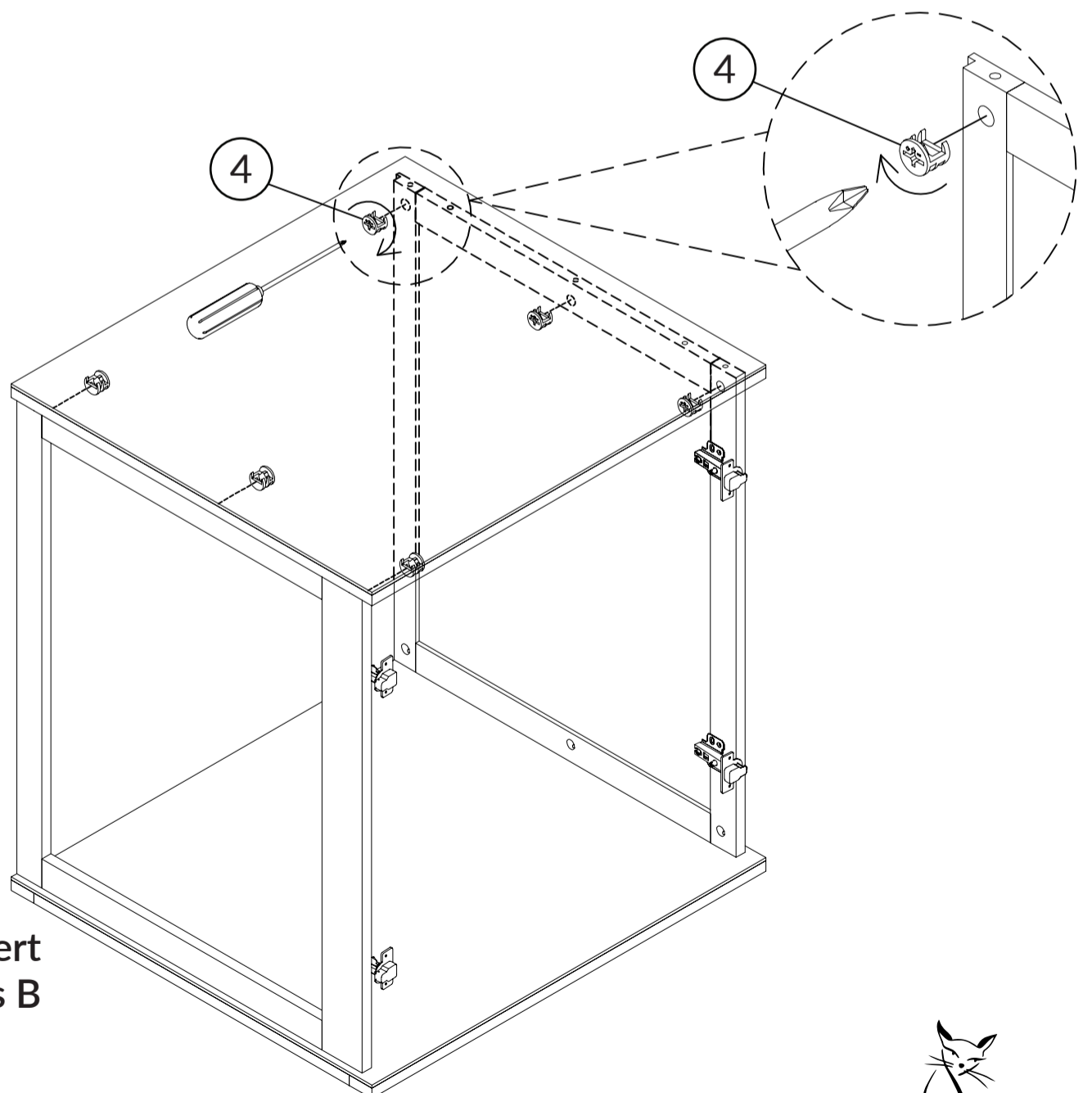
6

4

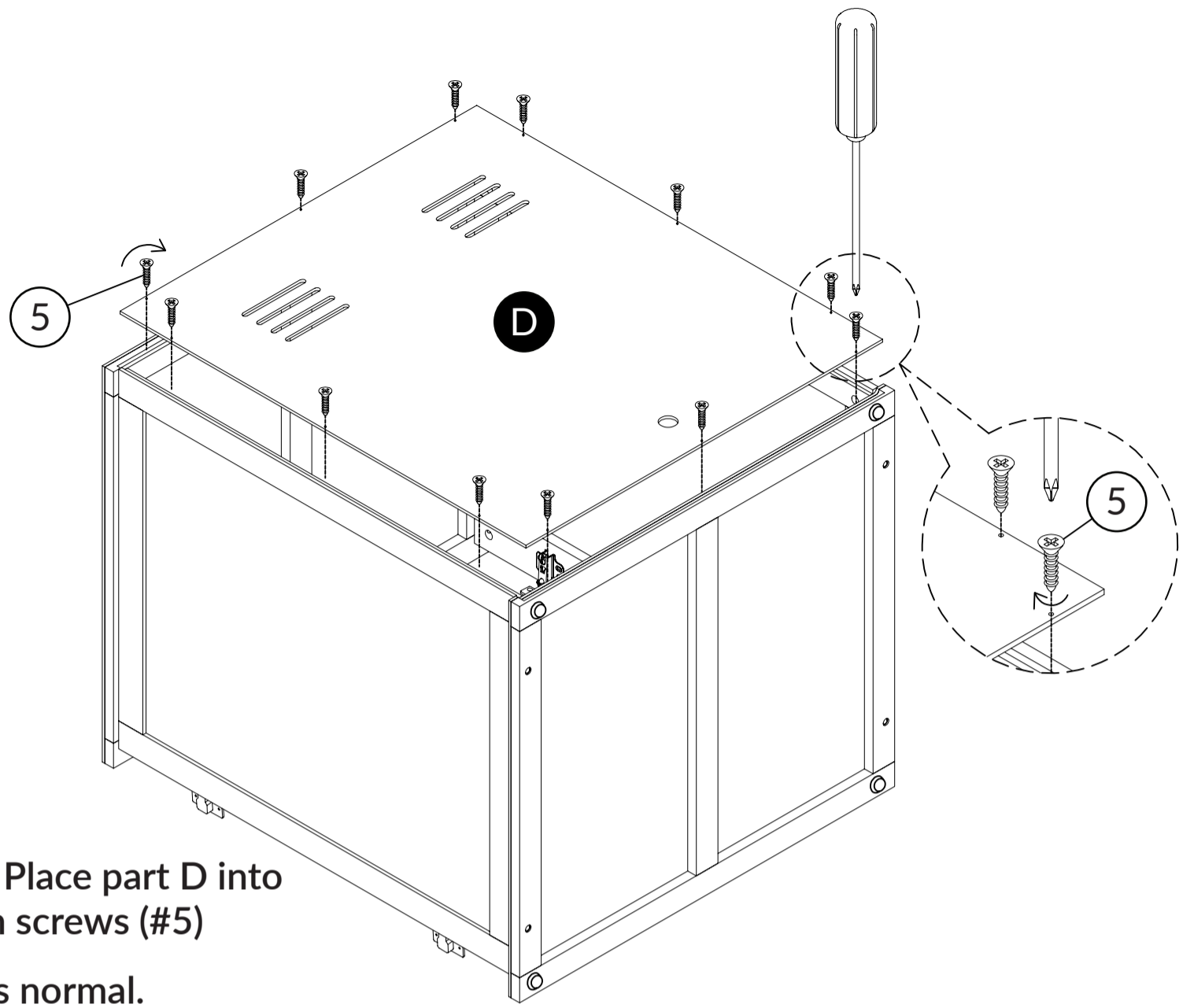


6 pieces

With arrow facing upward, insert cam locks (#4) into top of parts B & C then turn to lock.

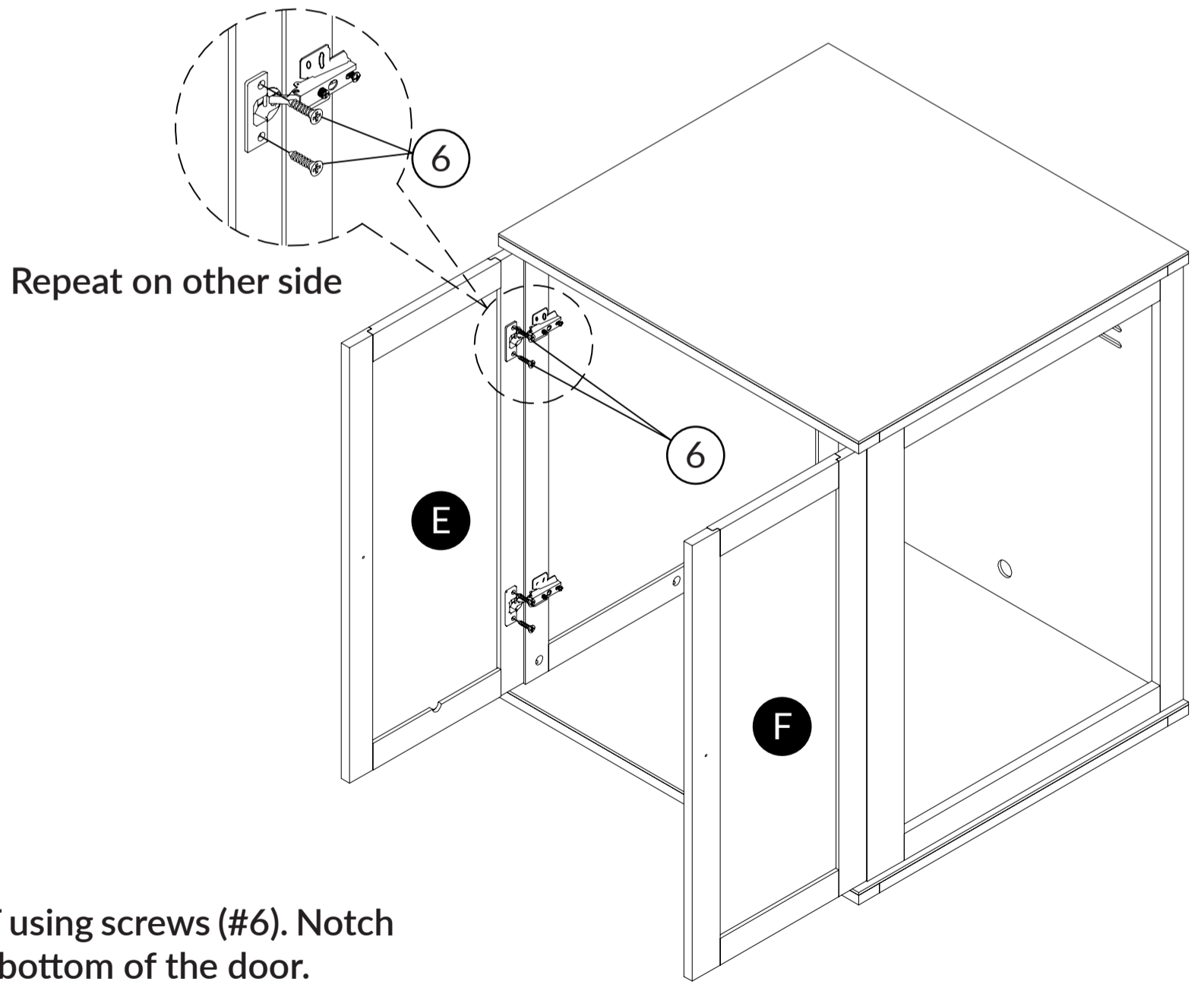
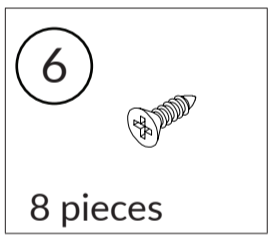


7



Carefully lay on its side. Place part D into grooves and secure with screws (#5)
A slight bend in part D is normal.

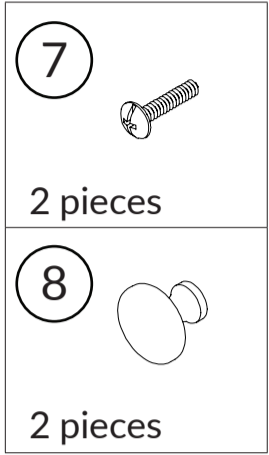
8



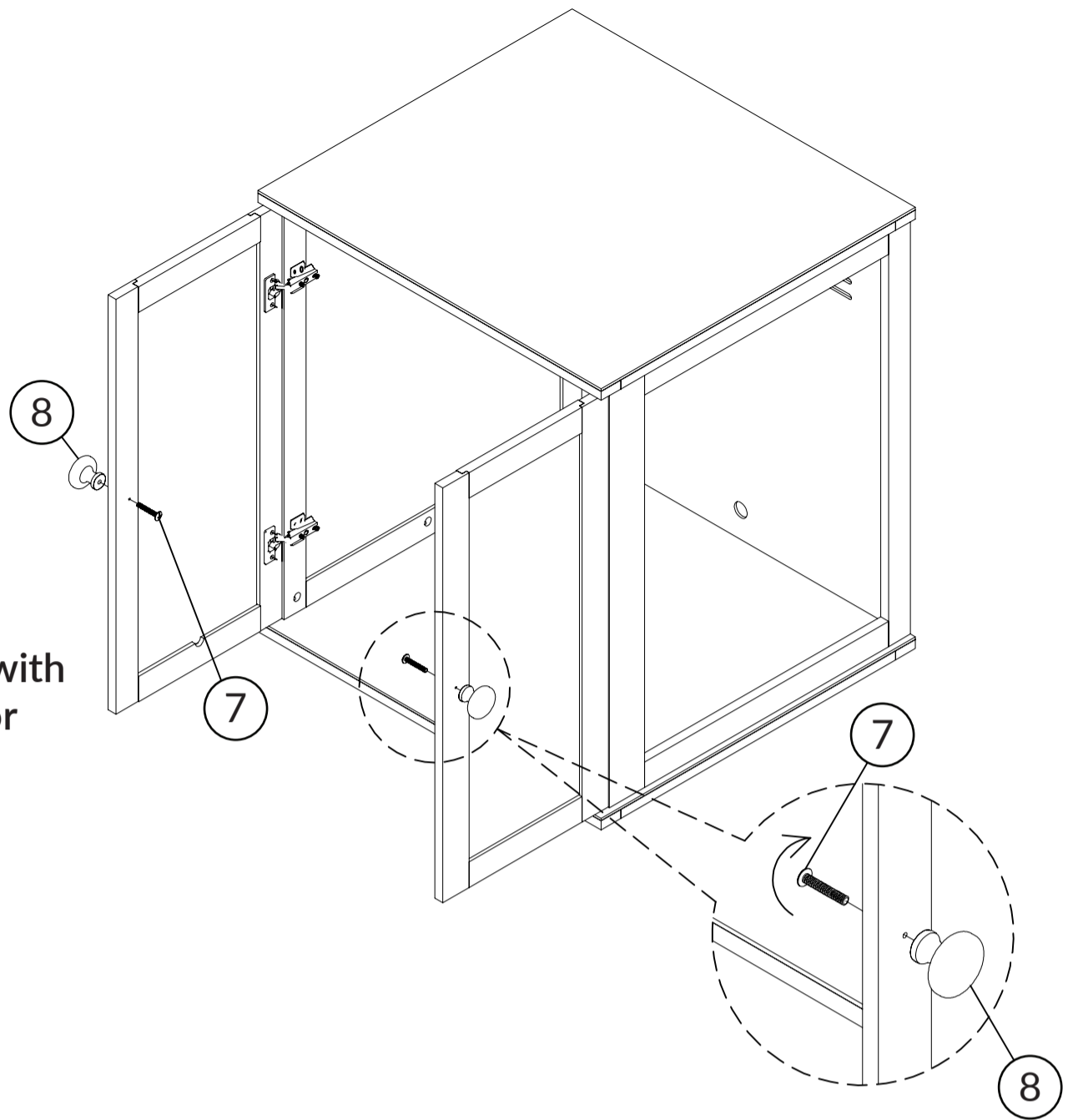
Attach doors E & F using screws (#6). Notch on back indicates bottom of the door.
Insert all screws first before tightening.



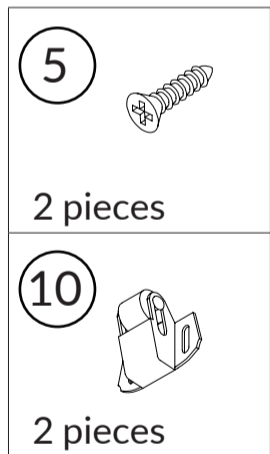
9



Install door knob (#8) with screw (#7) to each door

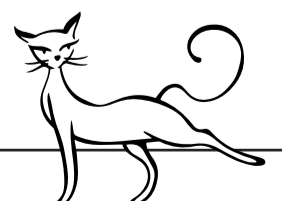
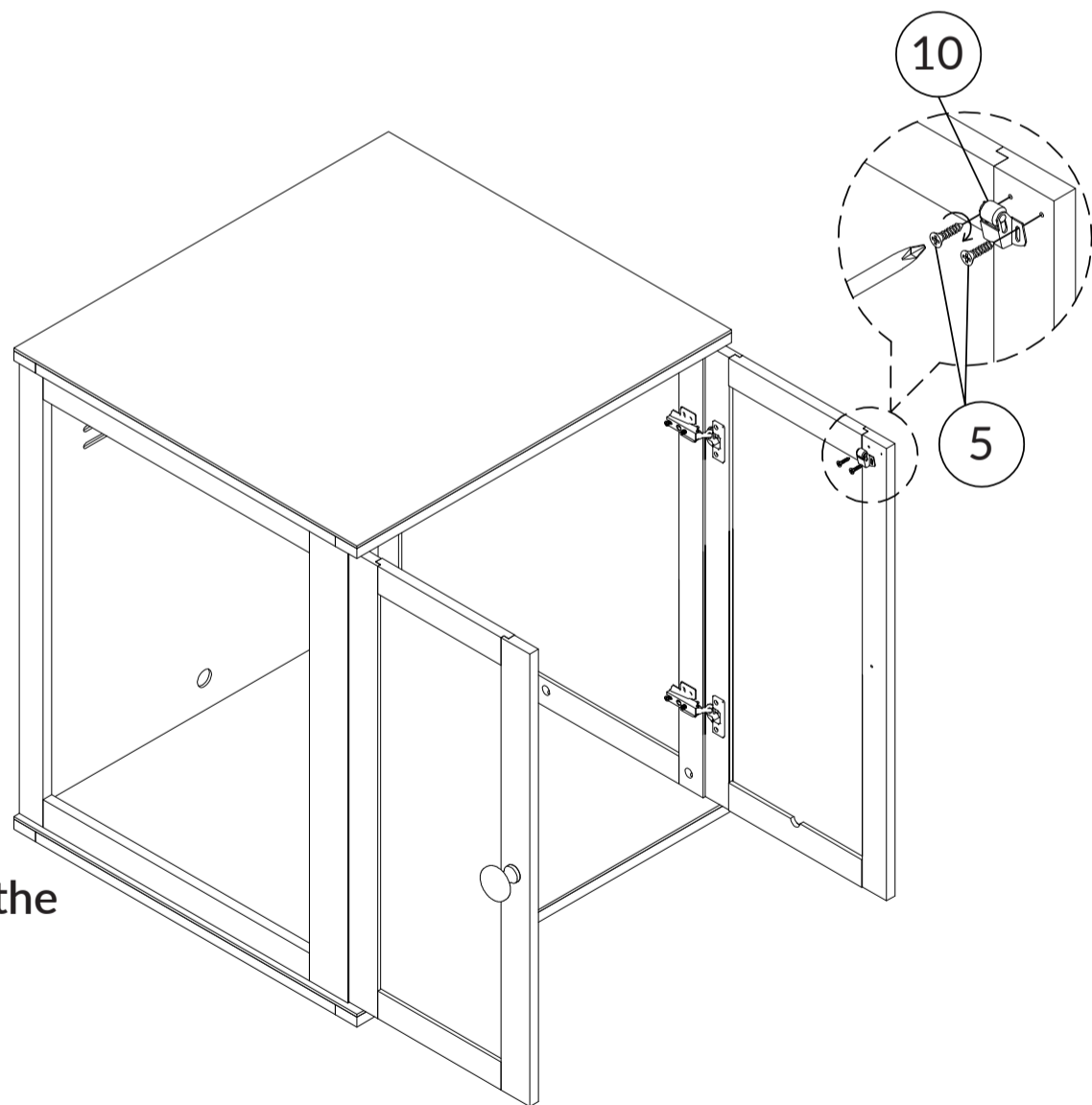


10



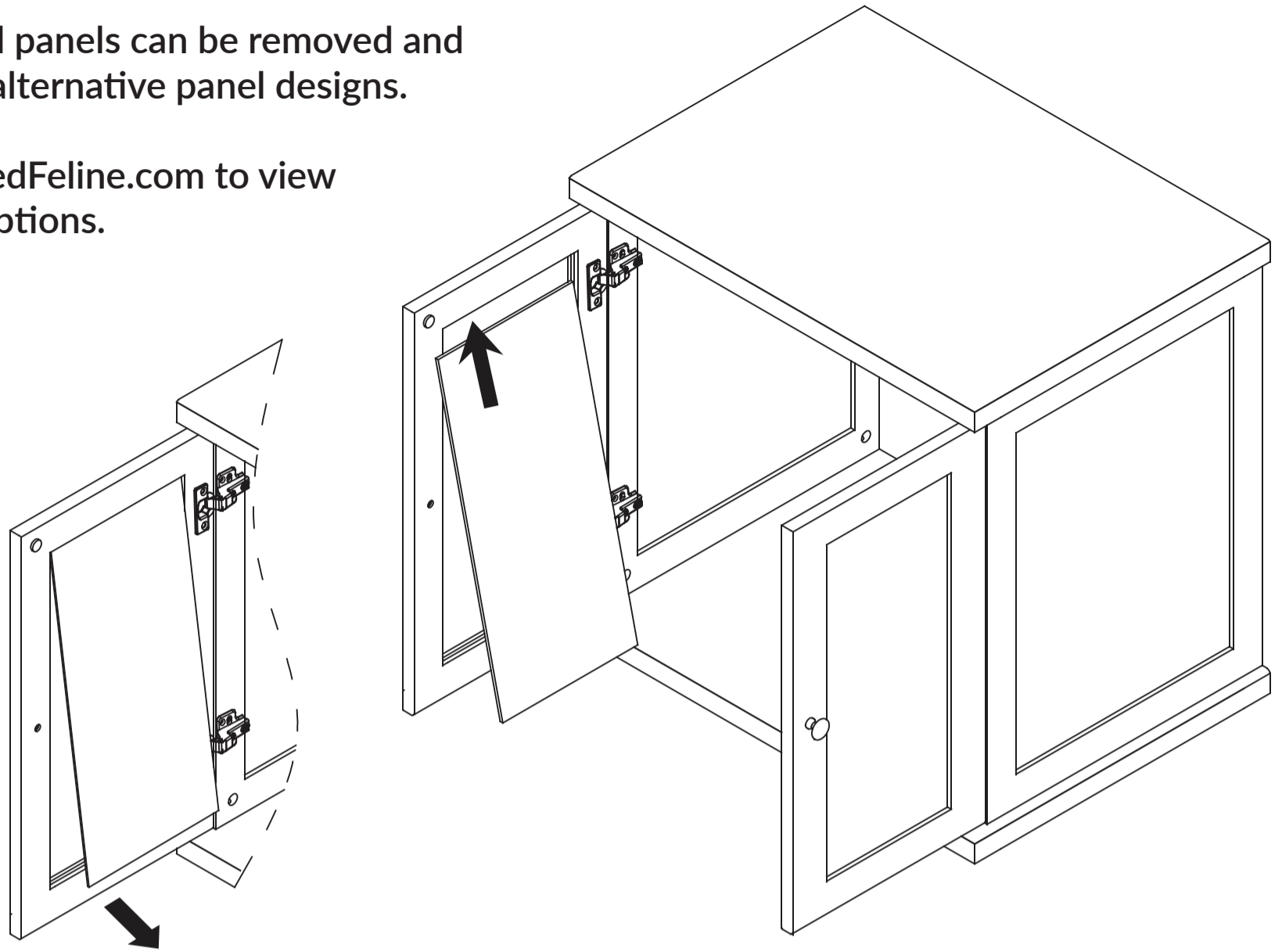
Attach roller catch (#10) with the roller upwards to each door with screws (#5)

Placement of roller catch may need to be adjusted to align doors.



Note: Standard panels can be removed and replaced with alternative panel designs.

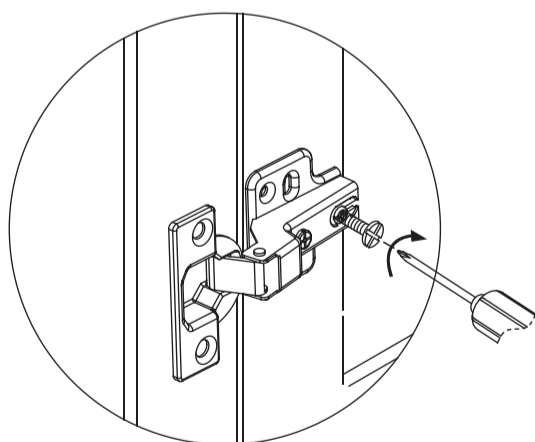
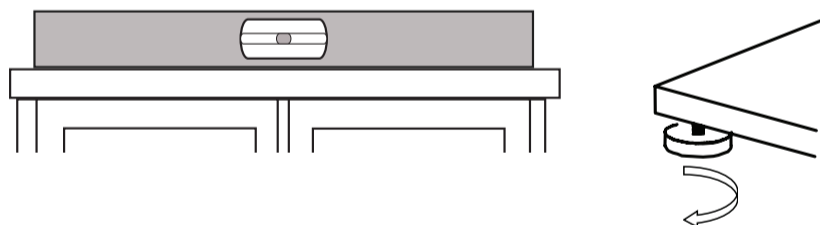
Visit TheRefinedFeline.com to view panel design options.



Door Alignment Tips

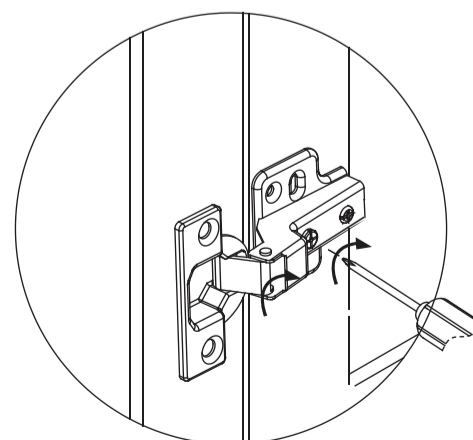
See assembly video for additional assistance.

1) Make sure litter box is level. Turn levelers on bottom to adjust.



2) If doors fails to close flush, turn screw on rear of hinge to loosen. Adjust doors and retighten screw.

3) If doors are askew, turn middle screw on each hinge as needed until doors align.



About The Refined Feline

The Refined Feline's mission is to bring modern, innovative designs to cat furniture. We strive to reinvent how people view the products that they and their feline companions use in their shared space. All our cat trees, cat wall shelves, cat beds, and litter box furniture are thoughtfully crafted to be the best they can be for you, your home, and your cats. Our team of dedicated cat lovers believes that cat furniture should be embraced and admired as an integral part of your home, just like your cat.

Our cat furniture is about much more than just looking great in your home though; functionality is just as important. Our multipurpose and customizable cat furniture features replaceable parts so that you can always keep it looking fresh. We knew that cat furniture could be better, so we raised the standards. As we say at The Refined Feline: Love Your Cat. Love Your Home.

Warranty

We offer consumers a 6-month limited warranty. Warranty covers manufacturer defect and not wear and tear. Consumers may be responsible for shipping cost of returning the product. Please contact Customer Service for an RMA# at (800) 289-6136 or support@therefinedfeline.com.

Have questions?

800-289-6136

Support@TheRefinedFeline.com

For video instructions on
assembling your Refined Self Cleaning Litter Box,
Visit: TheRefinedFeline.com/assembly/
or scan QR code:



Share a photo of your cat
with their new Refined Self
Cleaning Litter Box Cabinet!

Find us on Facebook or tag on
Instagram:
#RefinedLitterBox
@RefinedFeline

